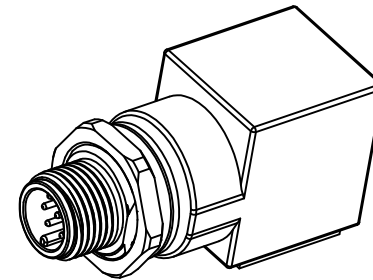
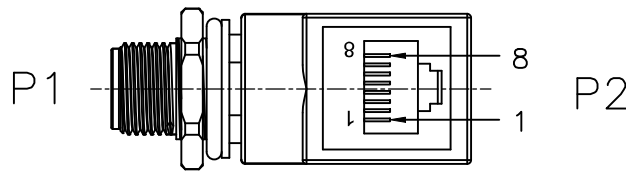
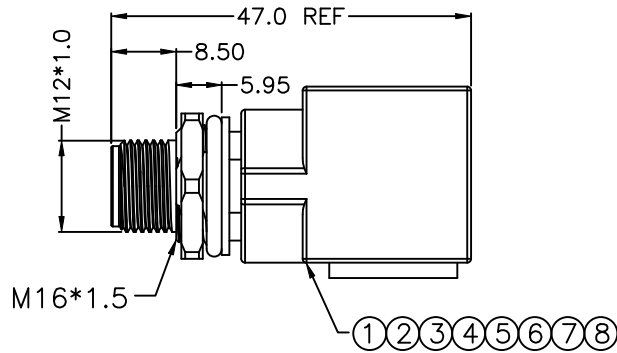
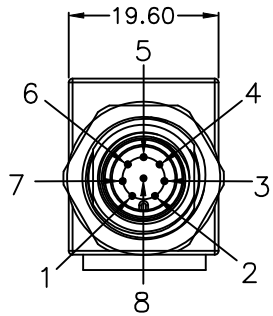


RECOMMENDED
PANEL CUT-OFF



REV	DESCRIPTION	DATE	APPROVED
S0	CREATED DRAWING	2017/09/06	YMX
S1	CREATED DRAWING	2024/01/15	XD

DETAILED PRODUCT DESCRIPTION:
WATERPROOF CONNECTOR RATING IS IP67(P1)
THEY CAN NOT BE USED PERMANENTLY UNDER WATER
PER ISO-20653, IEC60529

ELECTRICAL PROPERTIES AT +20°C
RATING VOLTAGE: 30V AC/DC
INSULATION RESISTANCE: >100MΩ
RATING CURRENT: 2A
CONTACT RESISTANCE OF CONNECTOR ≤10mΩ
MECHANICAL CHARACTERISTICS: MATING CYCLE >100 CYCLES
OPERATING TEMPERATURE: -25°C ~ +85°C
ACCORDING TO IEC 61076-2-101

ALL MATERIALS ARE ROHS COMPLIANT

P1	COLOR	P2
1	WHITE	1
2	BROWN	2
3	GREEN	3
4	YELLOW	4
5	GRAY	5
6	PINK	6
7	BLUE	7
8	RED	8
SHELL	BLACK	SHELL

⑧	PL00007	HD PE	3	g
⑦	PL00008	BLACK PVC 30P	10	g
⑥	OR00008	O-RING GREEN FKM $\phi 13.0*\phi 2.0MM$	1	PCS
⑤	NU00008	M16 BRASS PLATED NI NUT L*W=2.8*19MM	1	PCS
④	WK00195	M12 BRASS PLATED NI MALE SHELL	1	PCS
③	N/A	M12 A CODING 8PIN MALE CONNECTOR	1	SET
②	CN00222	RJ45 8P8C STRAIGHT ANGLE WITH SHEILD	1	PCS
①	N/A	UL1061 24AWG HOOK UP WIRE	1	PCS
ITEM	PART NO.	SPECIFICATION	Q'TY	UNIT

SIGNAL[®]
ShenZhen Signal Electronics co.,Ltd

TITLE M12 A CODING 8P/M TO RJ45/F 90° ADAPTER

SGN NO 120108-10-015

DWG NO

CUSTOMER

REV. S1

DRAWN BY	DATE	TOLERANCES ARE: DECIMALES ANGLES	THIRD ANGLE PROJECTION
CHECKED BY	DATE		
CHECKED BY	DATE	.x ±0.5 x' ±2' .xx ±0.2 .x' ±1'	SIZE: A4 UNITS: mm
APPROVED BY	DATE		

THE INFORMATION CONTAINED IN THIS DRAWING IS THE SOLE PROPERTY OF SIGNAL COMPANY. ANY REPRODUCTION IN PART OR WHOLE WITHOUT THE WRITTEN PERMISSION OF SIGNAL COMPANY IS PROHIBITED.

SCALE: SHEET: 1 OF 1