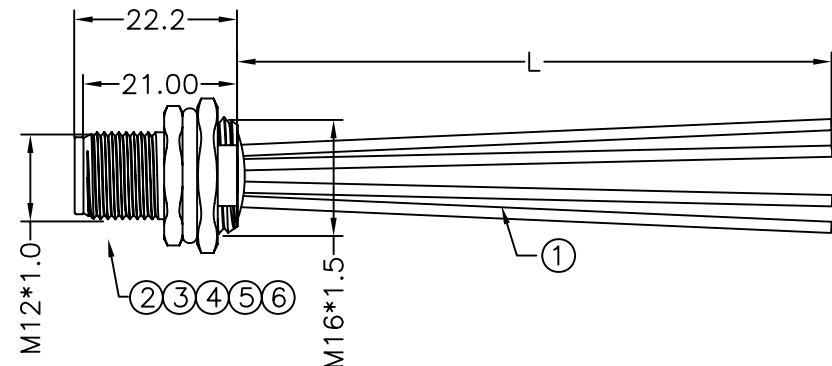
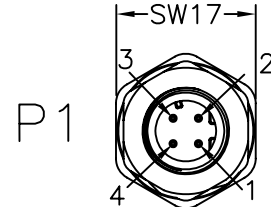
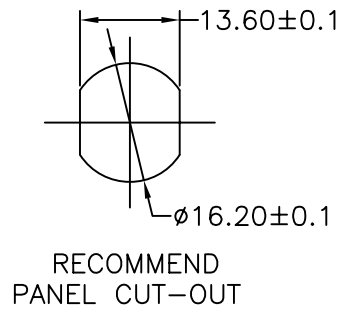


REV	DESCRIPTION	DATE	APPROVED
S0	CREATED DRAWING	2017/09/22	YMX



P2

Detailed Product Description:
Waterproof connector rating is IP67
They can not be used permanently under water.

Connector Electrical character
Rating voltage: 250V DC,
Insulation resistance: >10MΩ
Rating current: 4A
Contact resistance of connector ≤10mΩ
Mechanical characteristics: mating / cycle >100 cycle
Operating temperature: -25°C ~ +85°

SGN NO	L(mm)
120404-03-811	100±10
120404-03-812	200±10
120404-03-813	500±10
120404-03-814	1000±15

TESTING CONDITIONS:
1. VOLTAGE: 300V DC/0.1S.
2. INSULATION RESISTANCE: 10 Mohms min.
3. CONDUCTIVE RESISTANCE: 5 Ohms max.
4. 100% OPEN AND SHORT ELECTRICAL TEST.

*ALL MATERIALS ARE RoHS COMPLIANT.

WIRE LIST

P1	COLOR	P2
1	BROWN	TIN
2	WHITE	
3	BLUE	
4	BLACK	

ITEM	PART NO.	SPECIFICATION	Q'TY	UNIT
⑥	GL00002	Black glue A/B (ethoxyline resin)	2	g
⑤	OR00008	O-Ring GREEN FKM $\phi 13.0 * \phi 2.0$ mm	1	PCS
④	N/A	M16*1.5 BRASS PLATED NI L*W=2.8*18mm	1	PCS
③	N/A	M12 BRASS WITH NI PLATED, MALE M16*1.5 L=21.0mm	1	PCS
②	N/A	M12 D Coding 4pin male connector short style	1	SET
①	N/A	UL1007 22AWG HOOK UP WIRE	EACH 1	PCS

SIGNAL[®]
Shenzhen Signal Electronics Co., LTD

DRAWN BY: _____ DATE: _____
CHECKED BY: _____ DATE: _____
APPROVED BY: _____ DATE: _____

THE INFORMATION CONTAINED IN THIS DRAWING IS THE SOLE PROPERTY OF SIGNAL COMPANY. ANY REPRODUCTION IN PART OR WHOLE WITHOUT THE WRITTEN PERMISSION OF SIGNAL COMPANY IS PROHIBITED.

TITLE: M12 D 4P/M REAR MOUNT(M16) CABLE

SGN NO: 120404-03-81X REV. _____

DWG NO: _____ CUSTOMER: _____

TOLERANCES ARE:
DECIMALES: .x ±0.5 ANGLES: x.' ±2.0'
.xx ±0.20 .x' ±1.0'

THIRD ANGLE PROJECTION

SIZE: A4 UNITS: mm
SCALE: _____ SHEET: 1 OF 1