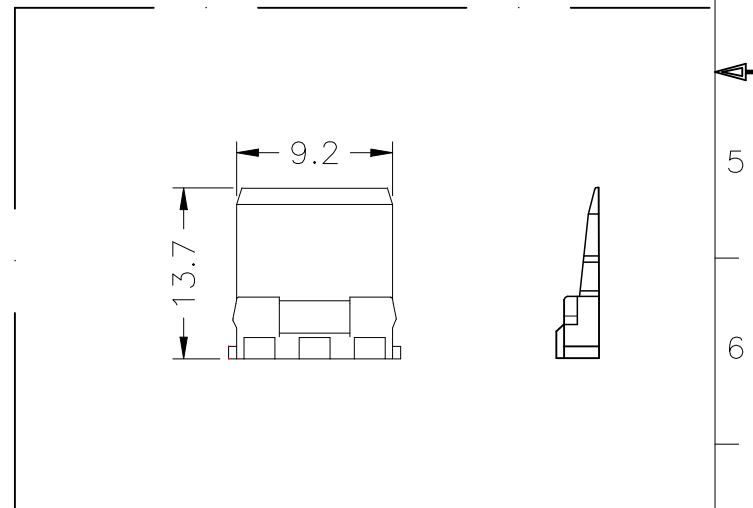
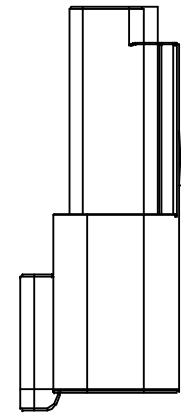
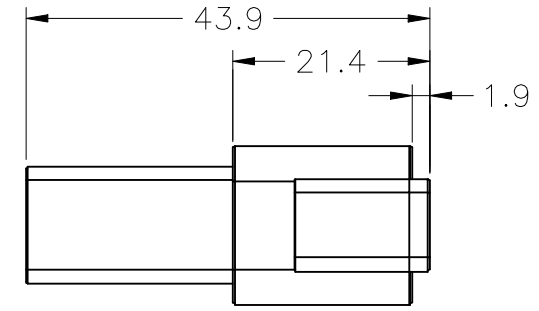
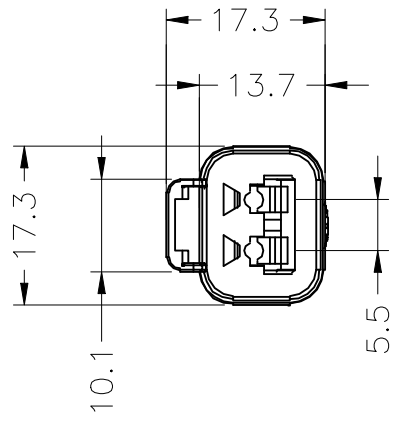


UNMARKED TOLERANCES	
SIZE	TOLERANCE
<4	±0.2
4~8	±0.25
8~16	±0.3
16~32	±0.4
32~63	±0.5

REV	DESCRIPTION	DATE	APPROVED
S0	CREATED DRAWING	2024/03/22	ZK
S1	CREATED DRAWING	2025/07/20	GZQ
S2	CREATED DRAWING	2025/07/20	GZQ




Detailed Product Description:
Products comply with SKGY0013-2005

- 1.Smooth surface, no burrs, cracks and other defects
- 2.Mechanical characteristics: mating/cycle >50cycle
- 3.Operating temperature: -40°C ~ +85°C

Other Specification

Insulation plastic: PA66+15%GF Color: Gray
 Internal plug-ins: PA66+15%GF Color: Green
 Waterproof rubber plug: Silicone Color: Dark Red
 Packing: PE Bag

*ALL MATERIALS ARE RoHS COMPLIANT.

 SIGNAL® ShenZhen Signal Electronics co.,Ltd		TITLE SDT04-2P CONNECTOR HOUSING	
		SGN NO YDHS0441	REV. S2
DRAWN BY	DATE	DWG NO	
CHECKED BY	DATE	CUSTOMER	
CHECKED BY	DATE	TOLERANCES ARE:	
APPROVED BY	DATE	DECIMALES	THIRD ANGLE PROJECTION
<small>THE INFORMATION CONTAINED IN THIS DRAWING IS THE SOLE PROPERTY OF SIGNAL COMPANY. ANY REPRODUCTION IN PART OR WHOLE WITHOUT THE WRITTEN PERMISSION OF SIGNAL COMPANY IS PROHIBITED.</small>		ANGLES	UNITS: mm
		x: ±2.0° x: ±1.0°	SCALE: 1:1 SHEET: 1 OF 1