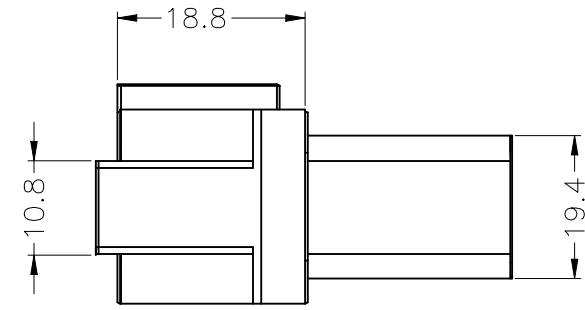
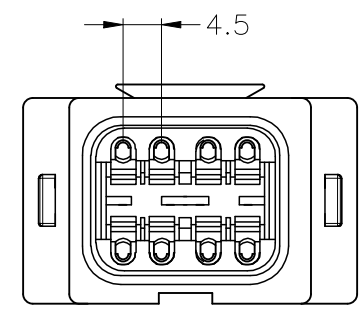
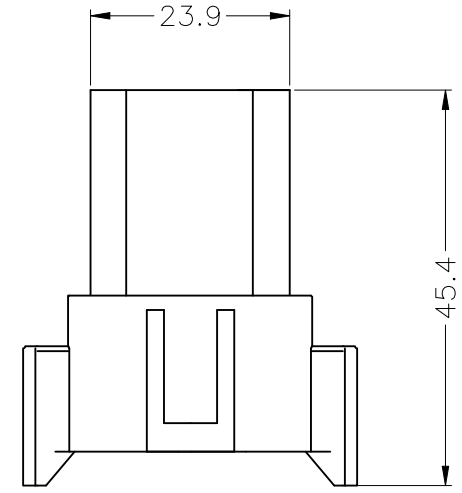


UNMARKED TOLERANCES	
SIZE	TOLERANCE
<4	±0.2
4~8	±0.25
8~16	±0.3
16~32	±0.4
32~63	±0.5

REV	DESCRIPTION	DATE	APPROVED
S0	CREATED DRAWING	2024/03/22	ZK
S1	CREATED DRAWING	2025/07/20	GZQ
S2	CREATED DRAWING	2025/07/28	GZQ




Detailed Product Description:  
Products comply with SKGY0013-2005

- 1. Smooth surface, no burrs, cracks and other defects
- 2. Mechanical characteristics: mating/cycle >50cycle
- 3. Operating temperature: -40°C ~ +85°C

Other Specification

Insulation plastic: PA66+15%GF      Color: Gray  
 Internal plug-ins: PA66+15%GF      Color: Green  
 Waterproof rubber plug: Silicone      Color: Dark Red  
 Packing: PE Bag

\*ALL MATERIALS ARE RoHS COMPLIANT.

 <b>SIGNAL</b> <sup>®</sup> ShenZhen Signal Electronics co.,Ltd		TITLE SDT04-8P CONNECTOR HOUSING	
		SGN NO YDHS0449	REV. S2
DRAWN BY	DATE	DWG NO	
CHECKED BY	DATE	CUSTOMER	
CHECKED BY	DATE	TOLERANCES ARE:	
APPROVED BY	DATE	DECIMALES	THIRD ANGLE PROJECTION
<small>THE INFORMATION CONTAINED IN THIS DRAWING IS THE SOLE PROPERTY OF SIGNAL COMPANY. ANY REPRODUCTION IN PART OR WHOLE WITHOUT THE WRITTEN PERMISSION OF SIGNAL COMPANY IS PROHIBITED.</small>		ANGLES	UNITS: mm
		x: ±2.0° x: ±1.0°	SCALE: 1:1
		SHEET: 1 OF 1	