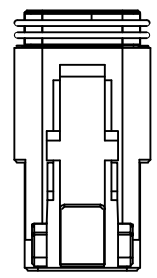
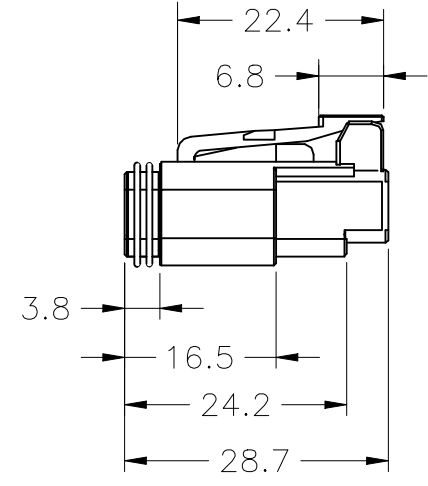
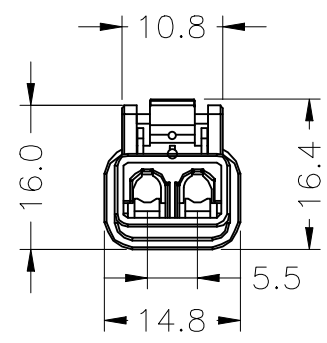
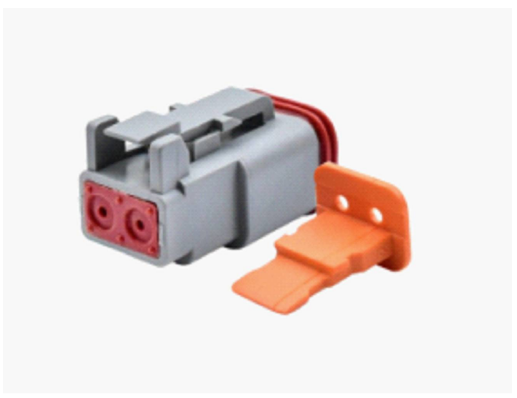


UNMARKED TOLERANCES	
SIZE	TOLERANCE
<4	±0.2
4~8	±0.25
8~16	±0.3
16~32	±0.4

REV	DESCRIPTION	DATE	APPROVED
S0	CREATED DRAWING	2024/03/22	ZK
S1	CREATED DRAWING	2025/07/20	GZQ
S2	CREATED DRAWING	2025/07/28	GZQ



Detailed Product Description:


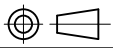
Products comply with SKGY0013-2005

- 1. Smooth surface, no burrs, cracks and other defects
- 2. Mechanical characteristics: mating/cycle >50cycle
- 3. Operating temperature: -40°C ~ +85°C

Other Specification

Insulation plastic: PA66+15%GF Color: Gray
INTERNAL PLUG-INS: PA66+15%GF Color: Orange
Waterproof rubber plug: Silicone Color: Dark Red
Packing: PE Bag

*ALL MATERIALS ARE RoHS COMPLIANT.

 SIGNAL [®] ShenZhen Signal Electronics co.,Ltd		TITLE SDT06-2S CONNECTOR HOUSING	
		SGN NO YDHS0442	REV. S2
DRAWN BY	DATE	DWG NO	CUSTOMER
CHECKED BY	DATE	TOLERANCES ARE:	
CHECKED BY	DATE	DECIMALES	ANGLES
APPROVED BY	DATE	THIRD ANGLE PROJECTION	
<small>THE INFORMATION CONTAINED IN THIS DRAWING IS THE SOLE PROPERTY OF SIGNAL COMPANY. ANY REPRODUCTION IN PART OR WHOLE WITHOUT THE WRITTEN PERMISSION OF SIGNAL COMPANY IS PROHIBITED.</small>		x: ±2.0' x: ±1.0'	 SIZE: A4 UNITS: mm SCALE: 1:1 SHEET: 1 OF 1