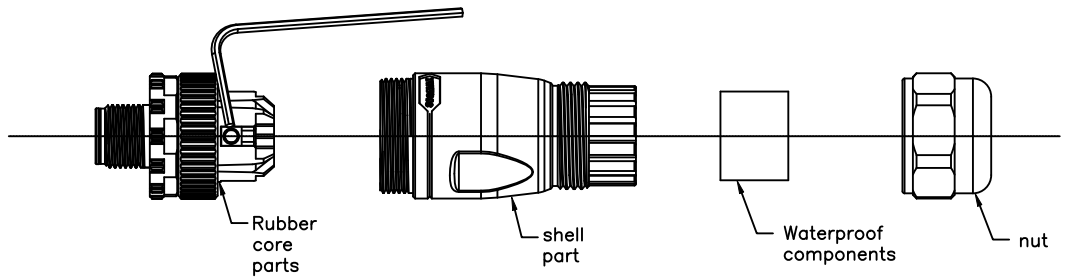
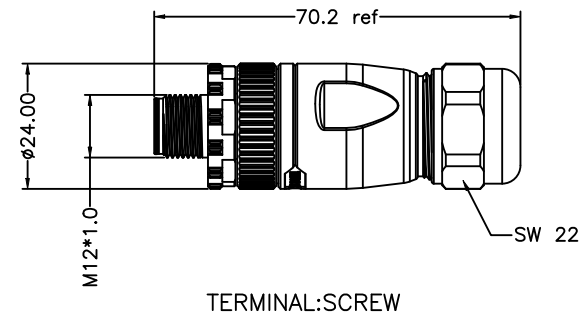
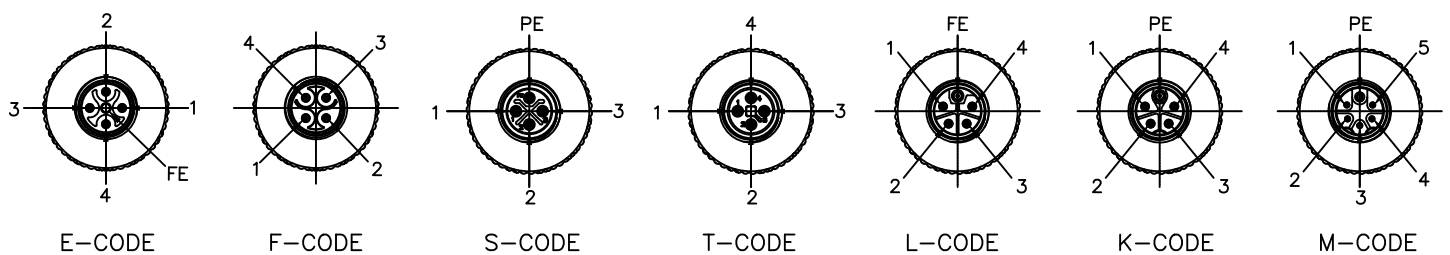


REV	DESCRIPTION	DATE	APPROVED
S0	CREATED DRAWING	2024/09/11	ZK



Electrical character

Detailed Product Description:  
 Waterproof connector rating is IP67  
 They can not be used permanently under water  
 Per ISO-20653, IEC60529


Insulation resistance: >100MΩ  
 Contact resistance of connector ≤10mΩ  
 Mechanical characteristics: mating / cycle >100cycle  
 Operating temperature: -25°C ~ +85°C

Contact Pin: Copper alloy with gold-plated  
 Insulation plastic: PA66

Cable peeling: (covering: 25~30mm, Conductor: 5mm)  
 Cable OD: 8.0~12.0mm(2 types of waterproof hoses)  
 Core wire Max: 2.5mm<sup>2</sup>

\*ALL MATERIALS ARE RoHS COMPLIANT\*

Part Number	Contacts	Function	Pin $\phi$ (mm)	Rated voltage		Rated current	Rated impulse voltage
				A/C	D/C		
121005-01-005S		4+FE	1.5	63V	63V	16A	1.5KV
121305-01-005S		4+PE	1.5	630V	630V	12A	6KV
121406-01-002S		5+PE	1.0	630V	630V	8A	6KV
120504-01-004S		3+PE	1.5	630V	630V	12A	6KV
120503-01-002S		2+PE	1.5	630V	630V	12A	6KV
120604-01-006S		4	1.5	63V	63V	12A	1.5KV
121105-01-002S		4+FE	1.5	63V	63V	16A	1.5KV
121204-01-002S		4	1.5	63V	63V	16A	1.5KV



**SIGNAL**<sup>®</sup>

Shenzhen Signal Electronics Co., LTD

TITLE M12 MALE PLASTIC ASSEMBLY CONNECTOR(WITH SIGNAL LOGO)

SGN NO SEE TABLE

REV. S0

DRAWN BY	DATE
CHECKED BY	DATE
CHECKED BY	DATE
APPROVED BY	DATE

TOLERANCES ARE:		THIRD ANGLE PROJECTION	
DECIMALES	ANGLES	SIZE: A4	UNITS: mm
.x ±0.5	x.' ±2.0'		
.xx ±0.20	.x' ±1.0'	SCALE:	SHEET: 1 OF

THE INFORMATION CONTAINED IN THIS DRAWING IS THE SOLE PROPERTY OF SIGNAL COMPANY. ANY REPRODUCTION IN PART OR WHOLE WITHOUT THE WRITTEN PERMISSION OF SIGNAL COMPANY IS PROHIBITED.