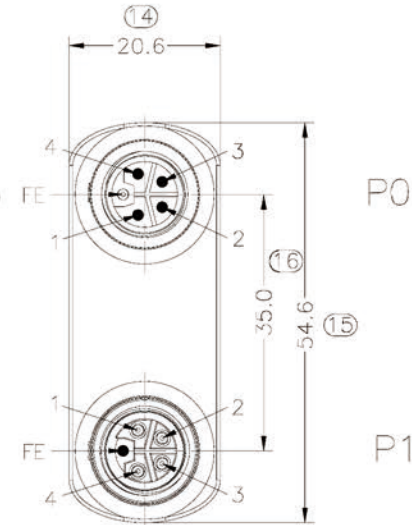
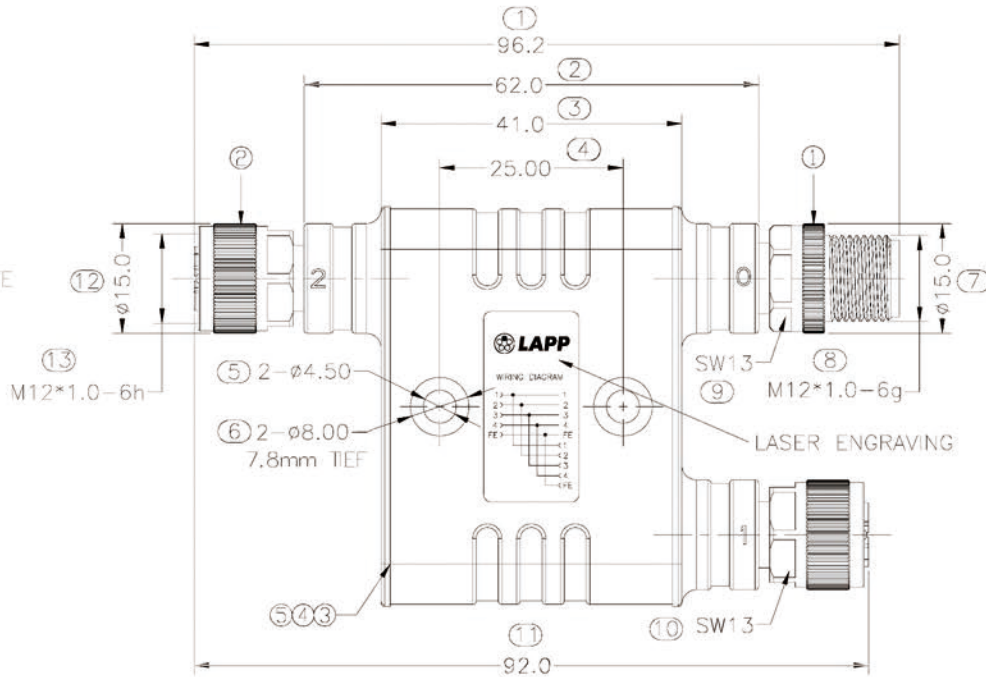
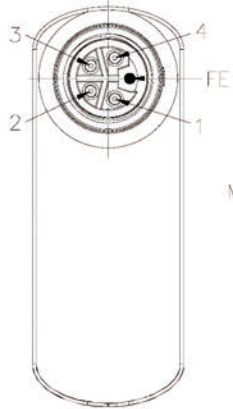


PROJECT NO:  
SGNW2411018

REV	DESCRIPTION	DATE	APPROVED
S0	CREATED DRAWING	2024/11/14	CRB

P2



DETAILED PRODUCT DESCRIPTION:  
WATERPROOF CONNECTOR RATING IS IP67  
THEY CAN NOT BE USED PERMANENTLY UNDER WATER  
PER ISO-20653, IEC60529

ELECTRICAL PROPERTIES AT +20°C  
RATING VOLTAGE: 63V/DC  
INSULATION RESISTANCE: >100MΩ  
RATING CURRENT: 16A  
CONTACT RESISTANCE OF CONNECTOR ≤5mΩ  
MECHANICAL CHARACTERISTICS: MATING CYCLE >100 CYCLES  
OPERATING TEMPERATURE: -25°C ~ +85°C  
TIGHTENING TORQUE (RANGE) XXNM  
ACCORDING TO IEC 61076-2-111

\*ALL MATERIALS ARE ROHS COMPLIANT\*

WIRE LIST

	P0	P1	P2
1	1	1	1
2	2	2	2
3	3	3	3
4	4	4	4
FE	FE	FE	FE

ITEM	PART NO.	SPECIFICATION	Q'TY	UNIT
⑤	N/A	UL1007 16AWG HOOK UP WIRE	1	SET
④	N/A	BLACK LOW PRESSURE INJECTION MOLDING COMPOUND	30	G
③	N/A	BLACK PA66+GF	20	G
②	N/A	M12 L-CODING (4+FE)PIN FEMALE CONNECTOR	2	SET
①	N/A	M12 L-CODING (4+FE)PIN MALE CONNECTOR	1	SET

**SIGNAL**<sup>®</sup>

Shenzhen Signal Electronics co.,Ltd

TITLE: M12 L CODING (4+FE)PIN MALE TO FEMALE\*2 ADAPTER

SGN NO: 121005-10-005

DWG NO: SGNW2411018-1

CUSTOMER: \_\_\_\_\_

DRAWN BY	DATE	REV.
CHECKED BY	DATE	S0
CHECKED BY	DATE	
APPROVED BY	DATE	

THE INFORMATION CONTAINED IN THIS DRAWING IS THE SOLE PROPERTY OF SIGNAL COMPANY. ANY REPRODUCTION IN PART OR WHOLE WITHOUT THE WRITTEN PERMISSION OF SIGNAL COMPANY IS PROHIBITED.

TOLERANCES ARE:  
 DECIMALES: .x ±0.50    .x.\* ±2.0'  
 ANGLES: .xx ±0.20    .x' ±1.0'  
 THIRD ANGLE PROJECTION:

SIZE: A4    UNITS: mm  
 SCALE: 1:1    SHEET: 1 OF 1