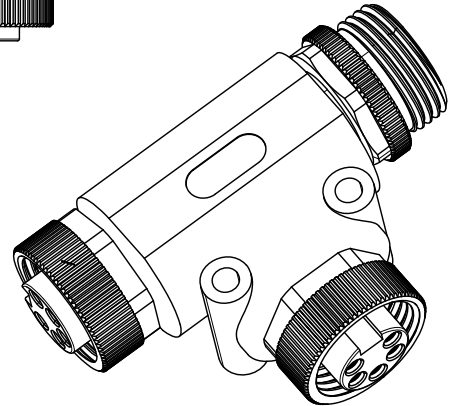
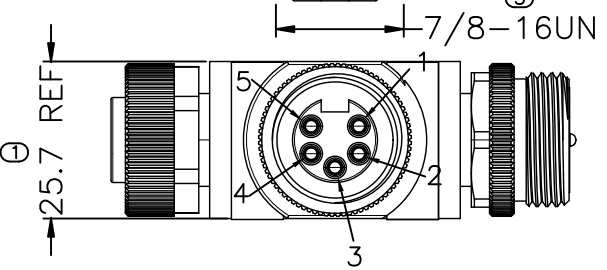
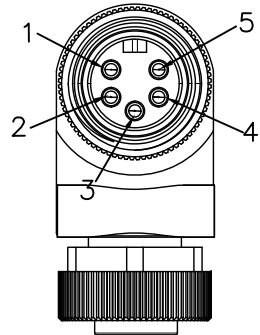
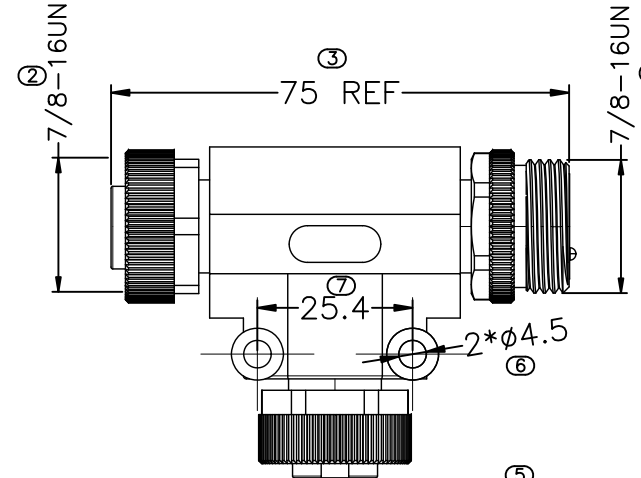
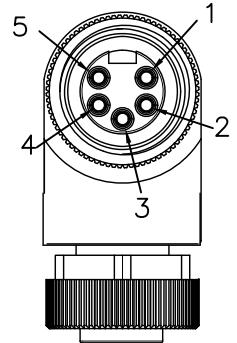


A B C D E F G H I J

REV	DESCRIPTION	DATE	APPROVED
S0	UPDATED DRAWING	2023/10/12	TANG



DETAILED PRODUCT DESCRIPTION:
 WATERPROOF CONNECTOR RATING IS IP67
 THEY CAN NOT BE USED PERMANENTLY UNDER WATER
 PER ISO-20653,IEC60529
 DESTRUCTIVE WITHSTAND FORCE BETWEEN CONNECTOR
 AND OVERMOLD EXCEEDS 5.0KGF

CONNECTOR ELECTRICAL CHARACTER
 RATING VOLTAGE: 300V
 INSULATION RESISTANCE: >100MΩ
 RATING CURRENT: 9A
 CONTACT RESISTANCE OF CONNECTOR ≤10mΩ
 MECHANICAL CHARACTERISTICS: MATING / CYCLE >100CYCLES
 OPERATING TEMPERATURE: -25°C ~ +105°C (DEPENDING ON CABLEQUALITY)
 (NOTE MAX. TORQUE OF MATING CONNECTOR!)

TESTING CONDITIONS:
 1. VOLTAGE: 300V DC/0.1S
 2. 100% OPEN AND SHORT ELECTRICAL TEST

ALL MATERIALS ARE RoHS COMPLIANT

WIRE LIST

P1	COLOR	P2	P3
1	BROWN	1	1
2	WHITE	2	2
3	BLUE	3	3
4	BLACK	4	4
5	GRAY	5	5

⑤	PL00106	Amber transparent low pressure injection compound	3	g
④	PL00008	BLACK PVC 30P	15	g
③	N/A	7/8 5 PIN MALE CONNECTOR (BLACK TPU)	1	SET
②	N/A	7/8 5 PIN FEMALE CONNECTOR (BLACK TPU)	2	SET
①	N/A	UL1007 16AWG HOOK UP WIRE	1	SET
ITEM	PART NO.	SPECIFICATION	Q'TY	UNIT

SIGNAL[®]
 Shenzhen Signal Electronics Co., LTD

DRAWN BY	DATE
DRAWN BY	DATE
CHECKED BY	DATE
APPROVED BY	DATE

THE INFORMATION CONTAINED IN THIS DRAWING IS THE SOLE PROPERTY OF SIGNAL COMPANY. ANY REPRODUCTION IN PART OR WHOLE WITHOUT THE WRITTEN PERMISSION OF SIGNAL COMPANY IS PROHIBITED.

TITLE
 7/8 5P/M TO 2*7/8 5P/F

SGN NO	780005-10-002	REV.
DWG NO	SGNYD2310031-30-1852	
CUSTOMER		S0

TOLERANCES ARE:	THIRD ANGLE PROJECTION
DECIMALES	ANGLES
.x ±0.5	x.' ±2.0'
.xx ±0.20	.x' ±1.0'

SIZE: A4	UNITS: mm
SCALE:	SHEET: 1 OF 1