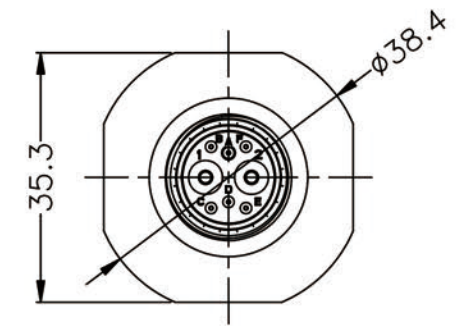
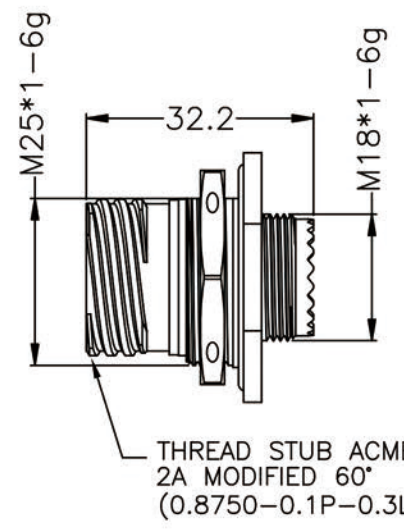
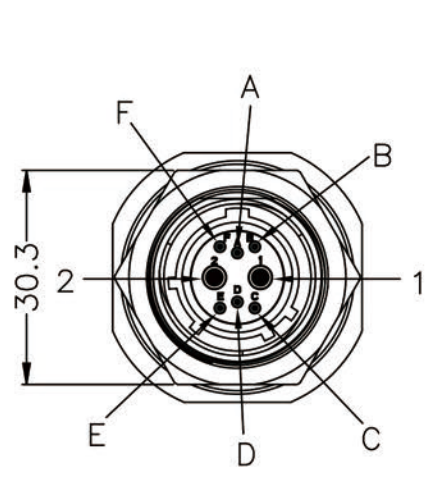
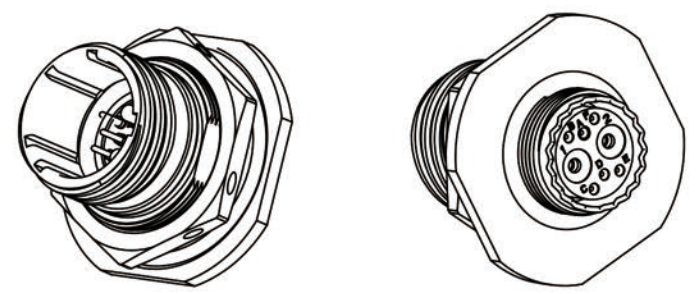


REV	DESCRIPTION	DATE	APPROVED
S0	CREATED DRAWING	2019/08/02	LXQ



Mechanical characteristics:  
 Mating/cycle: >500cycle  
 Operating temperature: -45°C ~ +150°C

Other specification:  
 Standard: based on mil-dtl-38999 series iii  
 Shell material: Aluminium  
 Shell plating: Nickel  
 Insulator: thermoplastic  
 Contacts: Copper alloy  
 Seals & grommet: silicon elastomer  
 Contact plating: Gold over Copper alloy 1u" minimum  
 Salt spray: 48 hours



\*ALL MATERIALS ARE RoHS COMPLIANT\*

<b>SIGNAL</b> <sup>®</sup> Shen Zhen Signal Electronics co.,Ltd		TITLE ALUMINIUM MALE PANEL MOUNT CONNECTOR (8D713F26PN)	
		SGN NO 940008-03-005	REV.
DRAWN BY	DATE	DWG NO	S0
CHECKED BY	DATE	CUSTOMER	
APPROVED BY	DATE	TOLERANCES ARE:	
THE INFORMATION CONTAINED IN THIS DRAWING IS THE SOLE PROPERTY OF SIGNAL COMPANY. ANY REPRODUCTION IN PART OR WHOLE WITHOUT THE WRITTEN PERMISSION OF SIGNAL COMPANY IS PROHIBITED.		DECIMALES	THIRD ANGLE PROJECTION
		.x ±0.10 .xx ±0.05	ANGLES x.* ±1.0° .x.* ±0.5°
		SIZE: A4	UNITS: mm
		SCALE: 1:1	SHEET: 1 OF 1