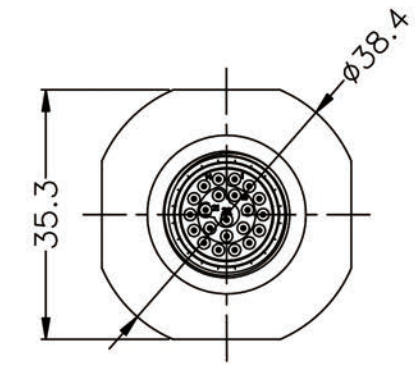
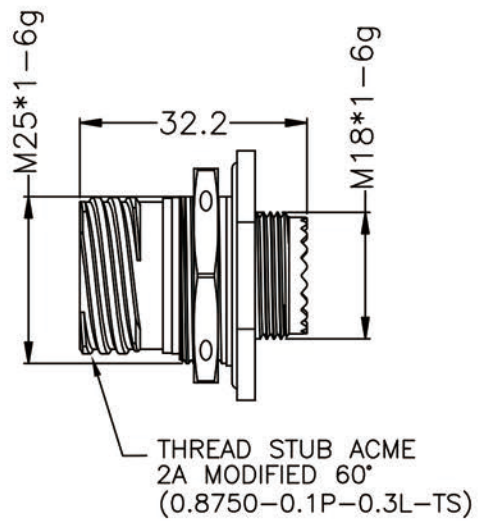
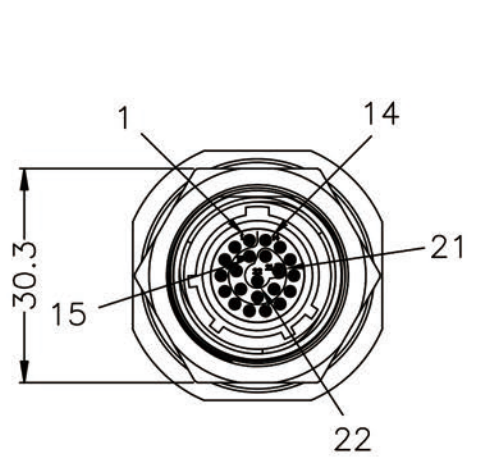


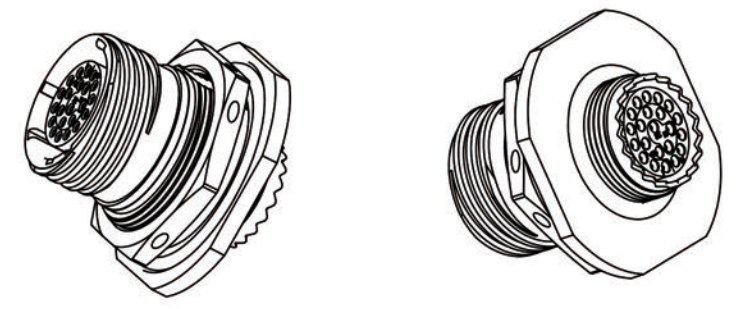
REV	DESCRIPTION	DATE	APPROVED
S0	CREATED DRAWING	2019/08/02	LXQ



Mechanical characteristics:
 Mating/cycle: >500cycle
 Operating temperature: -45°C ~ +150°C

Other specification:
 Standard: based on mil-dtl-38999 series iii
 Shell material: Aluminium
 Shell plating: Nickel
 Insulator: thermoplastic
 Contacts: Copper alloy
 Seals & grommet: silicon elastomer
 Contact plating: Gold over Copper alloy 1u" minimum
 Salt spray: 48 hours

ALL MATERIALS ARE RoHS COMPLIANT



SIGNAL [®] Shen Zhen Signal Electronics co.,Ltd		TITLE ALUMINIUM MALE PANEL MOUNT CONNECTOR(D3899924FC35SN)	
		SGN NO 940022-04-001	REV.
DRAWN BY	DATE	DWG NO	S0
CHECKED BY	DATE	CUSTOMER	
APPROVED BY	DATE	TOLERANCES ARE:	
THE INFORMATION CONTAINED IN THIS DRAWING IS THE SOLE PROPERTY OF SIGNAL COMPANY. ANY REPRODUCTION IN PART OR WHOLE WITHOUT THE WRITTEN PERMISSION OF SIGNAL COMPANY IS PROHIBITED.		DECIMALES	ANGLES
		.x ±0.10 .xx ±0.05	x.° ±1.0° .x.° ±0.5°
		THIRD ANGLE PROJECTION	
		SIZE: A4	UNITS: mm
		SCALE: 1:1	SHEET: 1 OF 1