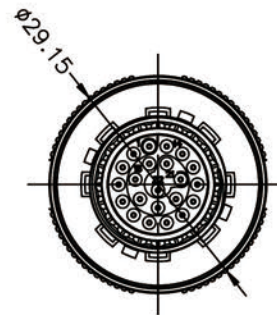
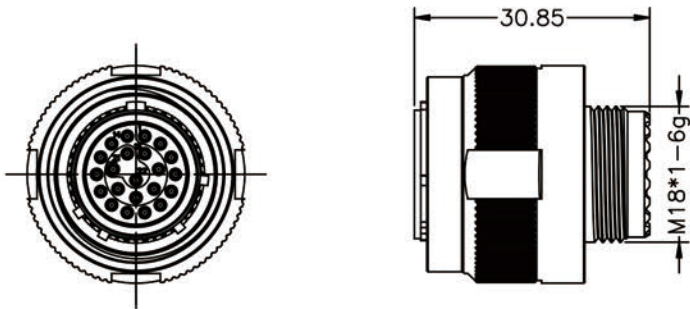


PROJECT NO:

XXX


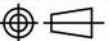
REV	DESCRIPTION	DATE	APPROVED
S0	CREATED DRAWING	2018/7/7	CRB



- NOTE
- 1.STANDARD: BASED ON MIL-DTL-38999 SERIES III
  - 2.SHELL MATERIAL: ALUMINIUM
  - 3.SHELL PLATING: NICKEL
  - 4.INSULATOR: THERMOPLASTIC
  - 5.CONTACTS: COPPER ALLOY
  - 6.SEALS & GROMMET: SILICON ELASTOMER
  - 7.CONTACT PLATING: GOLD OVER COPPER ALLOY 1U" MINIMUM
  - 8.DURABILITY: 500 MATING CYCLES
  - 9.TEMPERATURE RANGE: -45°C TO +150°C
  - 10.SALT SPRAY: 48 HOURS

\*ALL MATERIALS ARE RoHS COMPLIANT\*



 Shen Zhen Signal Electronics co.,Ltd		TITLE ALUMINIUM PLUG, WITH MALE CONTACTS(D3899926FC35PN)	
		SGN NO 940022-00-001	REV.
DRAWN BY	DATE	DWG NO	
CHECKED BY	DATE	CUSTOMER	
APPROVED BY	DATE	S0	
THE INFORMATION CONTAINED IN THIS DRAWING IS THE SOLE PROPERTY OF SIGNAL COMPANY. ANY REPRODUCTION IN PART OR WHOLE WITHOUT THE WRITTEN PERMISSION OF SIGNAL COMPANY IS PROHIBITED.		TOLERANCES ARE: DECIMALES .x ±0.5 .xx ±0.20	ANGLES x.* ±2.0° .x.* ±1.0°
		THIRD ANGLE PROJECTION	
		SIZE: A4	UNITS: mm
		SCALE:	SHEET: 1 OF 1