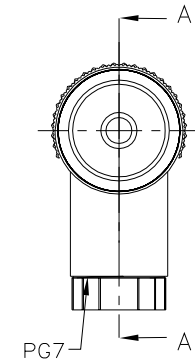
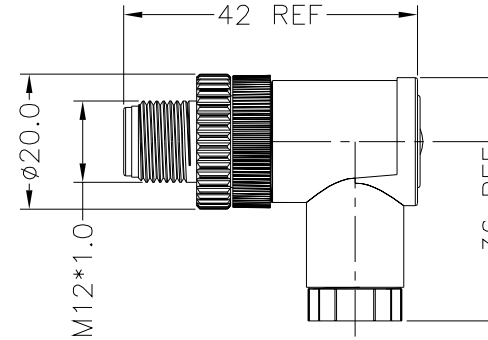
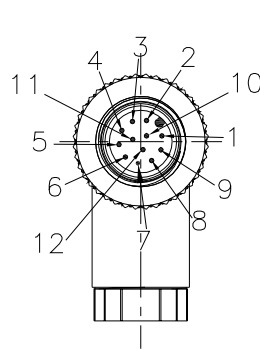


REV	DESCRIPTION	DATE	APPROVED
SO	CREATED DRAWING	2020/04/25	YMX

Detailed Product Description:
 Waterproof connector rating is IP67
 They can not be used permanently under water
 Per ISO-20653,IEC60529

Mechanical characteristics: mating / cycle >100cycle
 Operating temperature: -25°C ~ +85°C

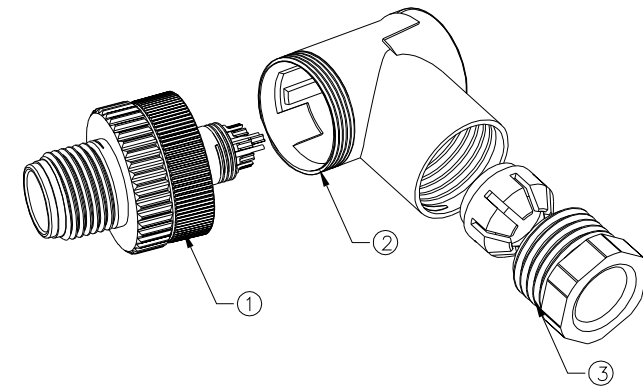
ALL MATERIALS ARE RoHS COMPLIANT



Termination:solder

Electrical character

Part Number	Contacts	Rated voltage		Rated current	Contact Resistance	Cable OD (mm)
		A/C	D/C			
120112-01-006		30V	30V	1.5A	10mΩ	4~6



③	N/A	M12 TAIL WATERPROOF PARTS	1	SET
②	N/A	M12 ASSEMBLY SHELL	1	SET
①	N/A	M12 MALE CONNECTOR	1	SET
ITEM	PART NO.	SPECIFICATION	Q'TY	UNIT

SIGNAL [®] Shenzhen Signal Electronics Co., LTD		TITLE M12 12P/M PLASTIC ASSEMBLY CONNECTOR (PG7)	
		SGN NO 120112-01-006	REV. SO
DRAWN BY		DATE	
CHECKED BY		DATE	
APPROVED BY		DATE	
DWG NO		CUSTOMER	
TOLERANCES ARE:		THIRD ANGLE PROJECTION	
DECIMALES	ANGLES	SIZE: A4	UNITS: mm
.x ±0.5	x.' ±2.0'	SCALE:	SHEET: 1 OF 1
.xx ±0.20	.x' ±1.0'		