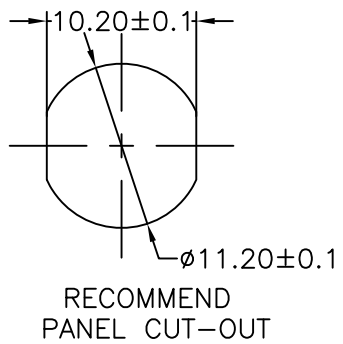


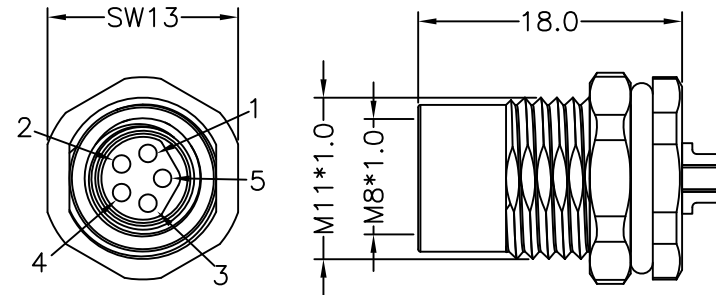
REV	DESCRIPTION	DATE	APPROVED
A0	CREATED DRAWING	2018/07/23	CYF



Detailed Product Description:
Waterproof connector rating is IP68(Behind the lock)
They can not be used permanently under water.

Connector Electrical character
Rating voltage: 60V
Insulation resistance: $\geq 100M\Omega$
Rating current: 3A
Contact resistance of connector $< 5m\Omega$
Mechanical characteristics: mating / cycle > 100 cycle
Operating temperature: $-25^{\circ}C \sim +85^{\circ}$

*ALL MATERIALS ARE RoHS COMPLIANT.



⑥	OR00007	O-RING BLACK Silicone $\phi 10.0 * \phi 1.5mm$	1	PCS
⑤	GL00002	BLACK EPOXY RESIN	1	G
④	OR00004	O-RING GREEN FKM $\phi 4.0 * 1.0mm$	1	PCS
③	NU00011	NUT BRASS PLATED NI M11*1.0mm	1	PCS
②	WK00057	M8 BRASS PLATED NI FEMALE FRONT MOUNT M11 L=18mm	1	PCS
①	N/A	M8 B CODING 5PIN FEMALE CONNECTOR	1	SET
ITEM	PART NO.	SPECIFICATION	Q'TY	UNIT

SIGNAL[®]
ShenZhen Signal Electronics co.,Ltd

DRAWN BY	DATE
CHECKED BY	DATE
APPROVED BY	DATE

THE INFORMATION CONTAINED IN THIS DRAWING IS THE SOLE PROPERTY OF SIGNAL COMPANY.
ANY REPRODUCTION IN PART OR WHOLE WITHOUT THE WRITTEN PERMISSION OF SIGNAL COMPANY IS PROHIBITED.

TITLE M8 B CODING FEMALE 5P FRONT MOUNT CONNECTOR	
SGN NO	080205-04-004
DWG NO	PMM08BBF05001
CUSTOMER	
TOLERANCES ARE:	THIRD ANGLE PROJECTION
DECIMALES .x ± 0.5	ANGLES x.' $\pm 2.0'$
.xx ± 0.20	.x' $\pm 1.0'$
SIZE: A4	UNITS: mm
SCALE:	SHEET: 1 OF 1