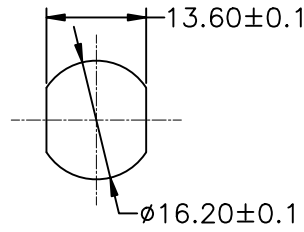


A B C D E F G H I J

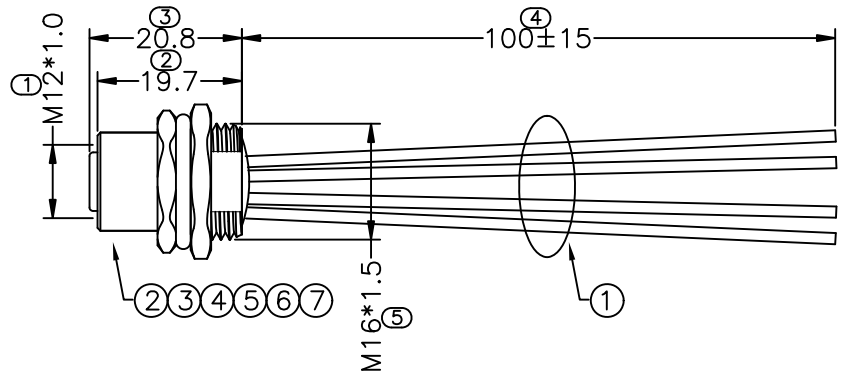
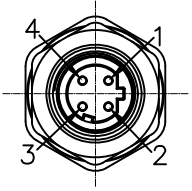
PROJECT NO:

REV	DESCRIPTION	DATE	APPROVED
S0	CREATED DRAWING	2026/05/27	ZXL



RECOMMEND
 PANEL CUT-OUT

P1



P2

Electrical character

Rated voltage	250V
Rated current	4A
Mechanical characteristics (mating cycle)	>100
Degree of protection (ISO-20653, IEC60529)	IP67(P1)
Operating temperature (depending on cable quality)	-25°C ~ +80°C
Destructive withstand force between connector and overmold exceeds	
Tightening torque (range)	0.4~1.0Nm
Pollution degree	3
ALL MATERIALS ARE RoHS COMPLIANT	

WIRE LIST

P1	COLOR	P2
1	BROWN	OPEN
2	WHITE	
3	BLUE	
4	BLACK	

ITEM	PART NO.	SPECIFICATION	Q'TY	UNIT
⑦	N/A	BLACK GLUE A/B (ETHOXYLINE RESIN)	2	g
⑥	N/A	O-RING GREEN FKM $\phi 7.0 \times \phi 1.5 \text{MM}$	1	PCS
⑤	N/A	O-RING GREEN FKM $\phi 13.0 \times \phi 2.0 \text{MM}$	1	PCS
④	N/A	M16*1.5 BRASS PLATED NI L*W=2.8*18mm	1	PCS
③	N/A	M12 BRASS WITH NI PLATED FEMALE M16*1.5 L=19.7mm	1	PCS
②	N/A	M12 D CODING 4PIN FEMALE CONNECTOR	1	SET
①	N/A	UL 1007 22 AWG ELECTRONIC WIRE	1	SET



TITLE	
M12 4P/F REAR FASTENED (M16*1.5) CABLE	
SGN NO	120404-04-831
DWG NO	
CUSTOMER	
TOLERANCES ARE:	THIRD ANGLE PROJECTION
DECIMALES	ANGLES
.x ±0.5	x.' ±2.0'
.xx ±0.20	.x' ±1.0'
SIZE: A4	UNITS: mm
SCALE: 1:1	SHEET: 1 OF 1

DRAWN BY	DATE
CHECKED BY	DATE
CHECKED BY	DATE
APPROVED BY	DATE

THE INFORMATION CONTAINED IN THIS DRAWING IS THE SOLE PROPERTY OF SIGNAL COMPANY. ANY REPRODUCTION IN PART OR WHOLE WITHOUT THE WRITTEN PERMISSION OF SIGNAL COMPANY IS PROHIBITED.