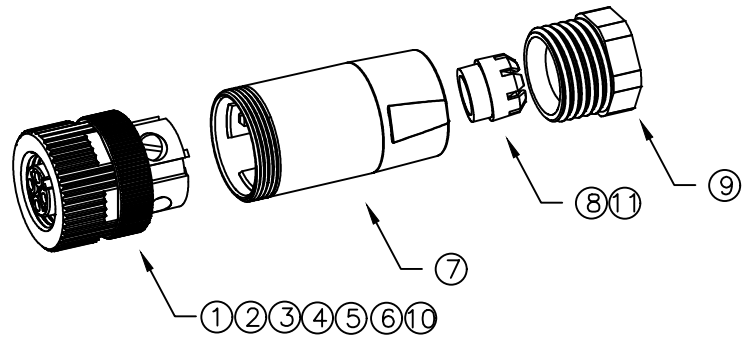
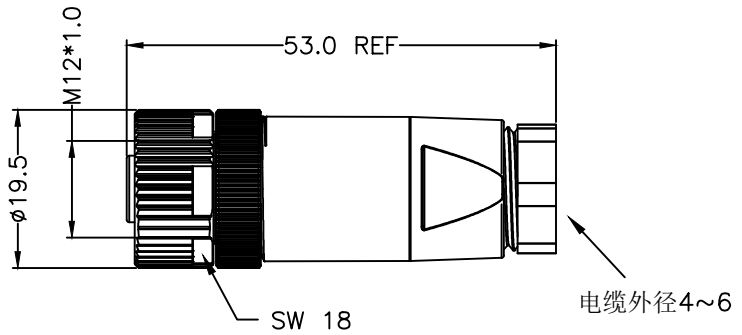
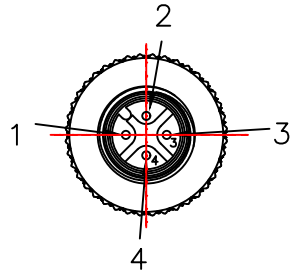



REV	DESCRIPTION	DATE	APPROVED
S0	CREATED DRAWING	2026/05/12	GZQ

说明:

- 1.电气特性
 - 额定电压: 交流/直流250v,
 - 绝缘电阻: > 100MΩ
 - 额定电流: 4A
 - 连接器的接触电阻≤5mΩ
- 2.机械特性: 插拔/周期 >100 cycle
- 3.环境特性
 - 防护等级: IP67
 - 操作温度: -40°C ~ + 85°C
- 4.测试条件
 - 导通阻抗: 5Ω MAX
 - 绝缘阻抗: 10MΩ MIN
 - 电 压: DC 300V/0.1S
- 5.其他规格
 - 接触针: 铜合金镀金
 - 耦合螺母: 锌合金镀镍
 - 绝缘塑料: PA66 GF (UL94V-0)
 - 电缆剥皮 (外皮: 18mm, 导体: 4mm)
 - 公母连接器锁紧扭矩: 0.2N·m
 - 外壳锁紧扭矩: 0.4N·m
 - 尾部锁紧扭矩: 0.6N·m
- 6.所有材料都符合RoHS标准。



 ShenZhen Signal Electronics co.,Ltd		TITLE M12A型4芯母直头装配式(M12*1.0, 塑胶锁螺丝), PG7, 锌合金螺母	
		SGN NO 120104-02-001S	REV.
DRAWN BY	DATE	DWG NO	SO
CHECKED BY	DATE	CUSTOMER	
CHECKED BY	DATE		
APPROVED BY	DATE	TOLERANCES ARE:	
THE INFORMATION CONTAINED IN THIS DRAWING IS THE SOLE PROPERTY OF SIGNAL COMPANY. ANY REPRODUCTION IN PART OR WHOLE WITHOUT THE WRITTEN PERMISSION OF SIGNAL COMPANY IS PROHIBITED.		DECIMALES	THIRD ANGLE PROJECTION
		ANGLES	SCALE:
.x ±0.5	x.* ±2.0°	SIZE: A4	UNITS: mm
.xx ±0.20	.x.* ±1.0°	SCALE:	SHEET: 1 OF 2